



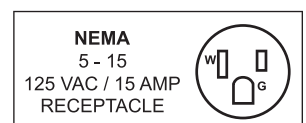
**Santos Poppy Seed Grinder**  
*Model Santos 01PV*  
*Items 44116*  
**Instruction Manual**



*Revised - 01/21/2020*



Toll Free: 1-800-465-0234  
Fax: 905-607-0234  
Email: [service@omcan.com](mailto:service@omcan.com)  
[www.omcan.com](http://www.omcan.com)



# ***Table of Contents***

Model Santos 01PV

---

<b>Section</b>	<b>Page</b>
General Information -----	3 - 4
Safety and Warranty -----	4 - 6
Technical Specifications -----	6
Operation -----	7
Maintenance -----	7 - 8
Troubleshooting -----	8 - 9
Figure Drawings -----	10 - 11
Parts Breakdown -----	12 - 14
Electrical Schematics -----	15
Notes -----	16 - 18
Warranty Registration -----	19



# General Information

---

Omcan Manufacturing and Distributing Company Inc., Food Machinery of America, Inc. dba Omcan and Omcan Inc. are not responsible for any harm or injury caused due to any person's improper or negligent use of this equipment. The product shall only be operated by someone over the age of 18, of sound mind, and not under the influence of any drugs or alcohol, who has been trained in the correct operation of this machine, and is wearing authorized, proper safety clothing. Any modification to the machine voids any warranty, and may cause harm to individuals using the machine or in the vicinity of the machine while in operation.

## CHECK PACKAGE UPON ARRIVAL

Upon receipt of an Omcan shipment please inspect for external damage. If no damage is evident on the external packaging, open carton to ensure all ordered items are within the box, and there is no concealed damage to the machine. If the package has suffered rough handling, bumps or damage (visible or concealed), please note it on the bill of lading before accepting the delivery and contact Omcan within 24 hours, so we may initiate a claim with the carrier. A detailed report on the extent of the damage caused to the machine must be filled out within three days, from the delivery date shown in the shipping documents. Omcan has no recourse for damaged products that were shipped collect or third party.

**Before operating any equipment, always read and familiarize yourself with all operation and safety instructions.**

Omcan would like to thank you for purchasing this machine. It's of the utmost importance to save these instructions for future reference. Also save the original box and packaging for shipping the equipment if servicing or returning of the machine is required.

---

Omcan Fabrication et distribution Compagnie Limitée et Food Machinery d'Amérique, dba Omcan et Omcan Inc. ne sont pas responsables de tout dommage ou blessure causé du fait que toute personne ait utilisé cet équipement de façon irrégulière. Le produit ne doit être exploité que par quelqu'un de plus de 18 ans, sain d'esprit, et pas sous l'influence d'une drogue ou d'alcool, qui a été formé pour utiliser cette machine correctement, et est vêtu de vêtements de sécurité appropriés. Toute modification de la machine annule toute garantie, et peut causer un préjudice à des personnes utilisant la machine ou des personnes à proximité de la machine pendant son fonctionnement.

## VÉRIFIEZ LE COLIS DÈS RÉCEPTION

Dès réception d'une expédition d'Omcan veuillez inspecter pour dommages externes. Si aucun dommage n'est visible sur l'emballage externe, ouvrez le carton afin de s'assurer que tous les éléments commandés sont dans la boîte, et il n'y a aucun dommage dissimulé à la machine. Si le colis n'a subi aucune mauvaises manipulations, de bosses ou de dommages (visible ou cachée), notez-le sur le bond de livraison avant d'accepter la livraison et contactez Omcan dans les 24 heures qui suivent, pour que nous puissions engager une réclamation auprès du transporteur. Un rapport détaillé sur l'étendue des dommages causés à la machine doit être rempli dans un délai de trois jours, à compter de la date de livraison indiquée dans les documents d'expédition. Omcan n'a aucun droit de recours pour les produits endommagés qui ont été expédiés ou cueilli par un tiers transporteur.

# General Information

---

Avant d'utiliser n'importe quel équipement, toujours lire et vous familiariser avec toutes les opérations et les consignes de sécurité.

Omcan voudrais vous remercier d'avoir choisi cette machine. Il est primordial de conserver ces instructions pour une référence ultérieure. Également conservez la boîte originale et l'emballage pour l'expédition de l'équipement si l'entretien ou le retour de la machine est nécessaire.

---

Omcan Empresa De Fabricacion Y Distribucion Inc. Y Maquinaria De Alimentos De America, Inc. dba Omcan y Omcan Inc. no son responsables de ningun daño o perjuicio causado por cualquier persona inadecuada o el uso descuidado de este equipo. El producto solo podra ser operado por una persona mayor de 18 años, en su sano juicio y no bajo alguna influencia de droga o alcohol, y que este ha sido entrenado en el correcto funcionamiento de esta máquina, y ésta usando ropa apropiada y autorizada. Cualquier modificación a la máquina anula la garantía y puede causar daños a las personas usando la máquina mientras esta en el funcionamiento.

## REVISE EL PAQUETE A SU LLEGADA

Tras la recepcion de un envio Omcan favor inspeccionar daños externos. Si no hay daños evidentes en el empaque exterior, Habra el carton para asegurarse que todos los articulos solicitados estén dentro de la caja y no encuentre daños ocultos en la máquina. Si el paquete ha sufrido un manejo de poco cuidado, golpes o daños (visible o oculto) por favor anote en la factura antes de aceptar la entrega y contacte Omcan dentro de las 24 horas, de modo que podamos iniciar una reclamación con la compañía. Un informe detallado sobre los daños causados a la máquina debe ser llenado en el plazo de tres días, desde la fecha de entrega que se muestra en los documentos de envío. Omcan no tiene ningun recurso por productos dañados que se enviaron a recoger por terceros.

Antes de utilizar cualquier equipo, siempre lea y familiarizarse con todas las instrucciones de funcionamiento y seguridad.

Omcan le gustaría darle las gracias por la compra de esta máquina. Es de la mayor importancia para salvar estas instrucciones para futuras consultas. Además, guarda la caja original y el embalaje para el envío del equipo si servicio técnico o devolución de la máquina que se requiere.

# Safety and Warranty

---

## IMPROPER USE

1. Do not use this appliance for grinding anything other than poppy seeds.
2. Never operate the appliance with no poppy seeds in the container.
3. Remove from the poppy seeds any foreign bodies which may damage the grinding wheels (metal staples, stones, etc.).
4. For electrocution risk protection reasons, never plunge the base into water or any other liquid.

# *Safety and Warranty*

---

5. Do not use a hose or a pressure hose for cleaning: this is forbidden.
6. Never touch the moving parts.
7. Unplug the appliance before carrying out any work on it: cleaning, maintenance or repair.
8. Do not use the appliance if the power cord is damaged. It must be replaced by a special assembly available from an approved Omcan dealer or from Omcan itself.
9. The use of spare parts other than certified Omcan original parts is prohibited.
10. Turn the On/Off switch (11) to "0" when the appliance is not operating.
11. Do not connect several appliances to the same power socket.
12. Do not use the appliance outdoors.
13. Never place the appliance close to or on a source of heat.
14. This appliance is a professional machine designed exclusively for professional use. It is not designed for household use.
15. This appliance is not designed for use by people (including children) whose physical, sensorial or mental capacities are impaired or by people with no experience or knowledge, unless they have been supervised or given training in the use of the appliance beforehand by a person responsible for their safety. Supervise children to ensure they do not play with the appliance.

## **ELECTRICAL CONNECTION**

Line protection: The appliance should be connected to a standard 2-pole + ground electric socket. The installation should be fitted with an RCD and a fuse rated at 16A. The appliance must be grounded.

## **CARE**

Before connecting the machine, check that the mains electrical voltage is the same as the voltage for your appliance. If the power cable is damaged, it should be replaced by a Omcan approved dealer, Omcan or a person with similar qualifications to avoid any danger.

Make sure that the on / off switch (13) is on 0 position before plugging the power cord into the main supply socket (Fig. A.)

## **RECYCLING THE PRODUCT AT THE END OF ITS SERVICE LIFE**

This equipment is marked with the selective sorting symbol relating to wastes from electrical and electronic equipment. It signifies that this product should be taken over by a selective collection system conforming to the Guideline 2002/96/EC (WEEE) – part Professional Equipment – so that it can be either recycled or dismantled in order to reduce any impact on the environment. For more information, please contact your Retailer or Omcan. For eliminating or recycling components of equipment, please contact a specialized company or contact Omcan. The electronic products not undergoing a selective sorting are potentially dangerous for the environment. The damaging materials should be eliminated or recycled according to the regulations in force.

## **1 YEAR PARTS AND LABOUR BENCH WARRANTY**

**Within the warranty period, contact Omcan Inc. at 1-800-465-0234 to schedule a drop off to either**

# Safety and Warranty

---

an Omcan authorized service depot in the area, or to an Omcan Service warehouse to repair the equipment.

Unauthorized maintenance will void the warranty. Warranty covers electrical and part failures, not improper use.

Please see <https://omcan.com/disclaimer> for complete info.

## WARNING:

The packaging components are classified as normal solid urban waste and can therefore be disposed of without difficulty.

In any case, for suitable recycling, we suggest disposing of the products separately (differentiated waste) according to the current norms.

**DO NOT DISCARD ANY PACKAGING MATERIALS IN THE ENVIRONMENT!**

# Technical Specifications

---

## MAIN TECHNICAL PARAMETERS

<b>Model</b>	<b>Santos 01PV</b>
<b>Electrical</b>	110V / 60Hz / 1Ph
<b>Power</b>	650 W / 0.87 Hp
<b>Current</b>	5.9A
<b>RPM</b>	1800
<b>Production per Hour</b>	31 lbs. / 14 kgs.
<b>Dimensions</b>	13" x 10" x 22" / 320 x 250 x 550mm
<b>Packaging Dimensions</b>	12" x 16" x 23" / 300 x 410 x 575mm
<b>Weight</b>	31 lbs. / 14 kgs.
<b>Packaging Weight</b>	36 lbs. / 16 kgs.
<b>Item Number</b>	44116

## ADJUSTING THE GRIND

- Turn the grinding-wheel gap adjuster button (6) clockwise for a coarser grind and counterclockwise for a finer grind. The factory setting is for the finest grind, with the grinding-wheels nearly touching each other.

## SERVICING

- Clean the dispensing outlet, the poppy seed holder and the grinding mechanism from time to time. Always turn the appliance off (switch 13 on position 0) and unplug it.

# Maintenance

---

Before carrying out any work on the appliance, it must in all cases be unplugged from the mains power supply and the motor start capacitor discharged:

### DISCHARGING THE CAPACITOR:

Use a screwdriver with insulated handle to touch the 2 connectors on the capacitor (13). The appearance of an electric arc shows that the capacitor has discharged.

### SPARE PARTS:

This machine requires no specific maintenance. The bearings are lubricated for life. If work is required to replace worn parts such as the grindstones or the electric or other components, refer to the parts list.

**IMPORTANT:** It is prohibited to use spare parts other than those certified by Omcan

For all spare part orders (see references in the exploded view at the end of the manual), state:

- The type.
- The machine serial number.
- The electrical specifications recorded under the machine.

## REPLACING THE GRINDSTONES

**IMPORTANT:** always change both 2 grindstones (17) at the same time.

The 2 grinding wheels are identical and can be fitted equally either on the moving plate (18) (moving grinding wheel) or on the cast metal adjustment block (19) (fixed grinding wheel).

1. Stop the machine by putting the switch (13) to "0" and disconnect the power supply cord.
2. Close the shutter (3) on the hopper (2). Take off the hopper (2).
3. Turn the grinding wheel gap adjuster button (6) clockwise until it comes to a halt at the "COARSE" setting.
4. Unscrew the nuts (16) and remove the whole grinding unit (15), to gain access to the grinding wheels.
5. Change the grinding wheels (3 fastening screws) after carefully cleaning the supporting surfaces.

**TAKE CARE:** The slightest small coffee particle under the grinding wheel may prevent the machine

# Maintenance

---

from operating correctly. It is recommended that the grinder body is cleaned with a compressed air jet or a dry brush.

6. Reassemble the grinding unit (15) and adjust the grinding gap to its minimum setting.

**TAKE CARE:** Before tightening the fastening nuts (16) on the grinding unit (15), check that the dial (4) of the grinding wheel adjuster button (6) is set to “COARSE”. This precaution is essential to prevent any risk of the grinding wheels being brought too close to each other, which could cause damage to the grinding unit.

## ADJUSTING THE MINIMUM GAP BETWEEN THE GRINDING-WHEELS

This should be done after replacing the grinding wheels.

1. Plug the appliance in and run it empty.
2. Unscrew hexagon socket screw (7) on the dial (4) using a 2-mm Allen wrench. Check that the dial (4) is free to rotate without turning button (6).
3. Turn button (6) counterclockwise until the grinding wheels come into contact (a slight sound of friction will be heard) then back one notch in the reverse direction.

**ATTENTION This is a delicate operation, and prolonged contact between the grinding wheels should be avoided, since this could damage them.**

4. Turn the appliance off by placing switch (13) on “0”.
5. Without moving the button (6), place the dial (4) on the “FINE” position then tighten the hexagon socket screw (7) fully home.
6. Run the machine empty to check that the grinding wheels rotate without touching each other on the finest setting. If this is not the case, repeat the above procedure.

# Troubleshooting

---

Identify the exact reason the appliance stopped.

In every case: If the problem persists, switch off the power supply to the machine (unplug the cord from the mains socket) and call in the maintenance service or contact an Omcan approved dealer.

### The machine will not start:

- Check: the mains power supply and the condition of the power supply cord.
- Note: the switch should be lit when on the “1” position.
- Check that there are no foreign bodies stuck between the grinding wheels.

### The machine stops because the motor has overheated:

(the metal casing around the motor unit is hot)

In the event of overheating, the motor stops.

The overheating protection system resets automatically; wait for the motor to cool (15 to 30 minutes), before restarting the machine.



# *Troubleshooting*

---

## **The machine stops because of an overload:**

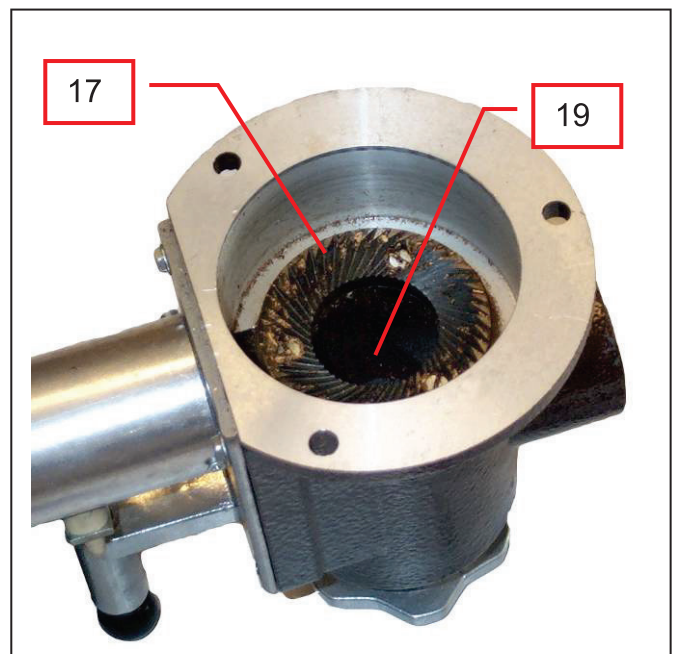
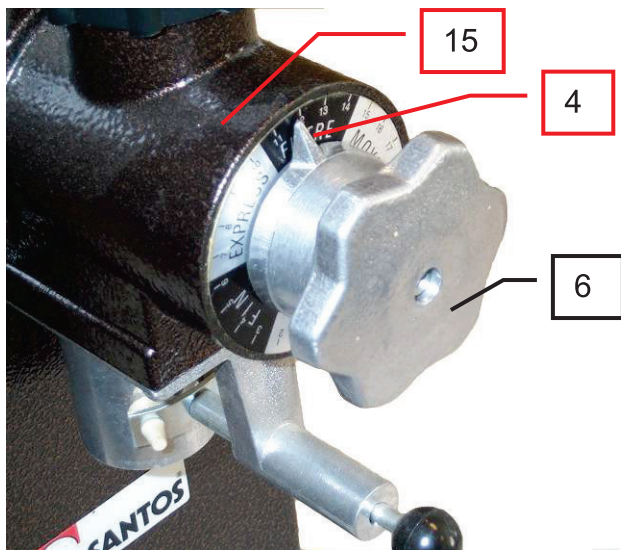
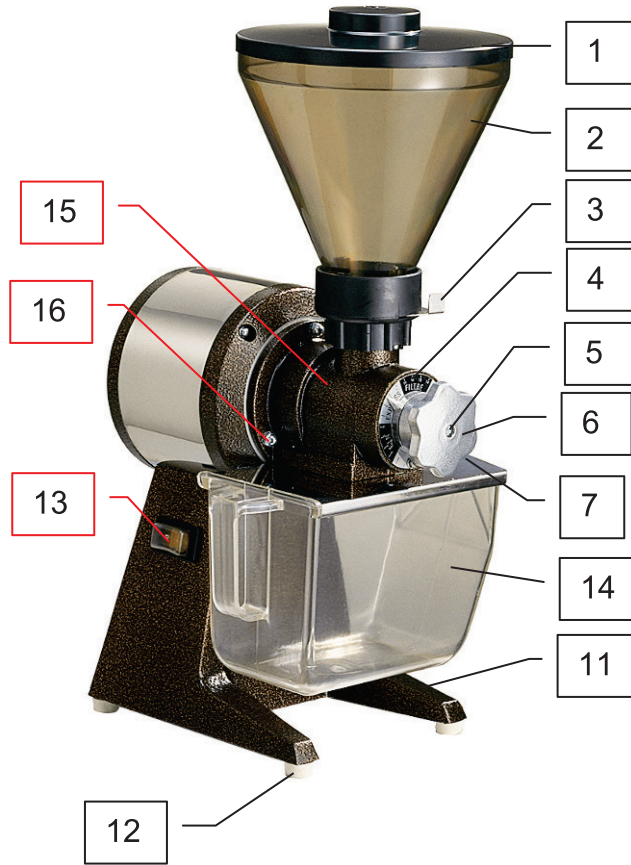
If the motor is blocked (foreign body, something too hard), the excess current protection system (14), located under the appliance will be triggered automatically and cut off the electrical power to the motor.

- Set the On / Off switch (13) to "0" position, disconnect the appliance.
- Correct the fault then press the excess current protection button (14).
- Press the On/Off switch (13) (position I).

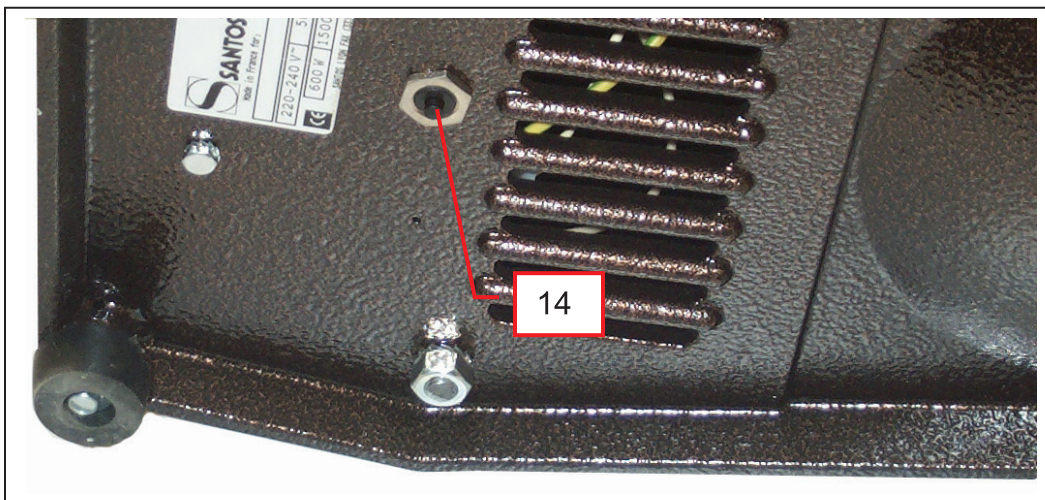
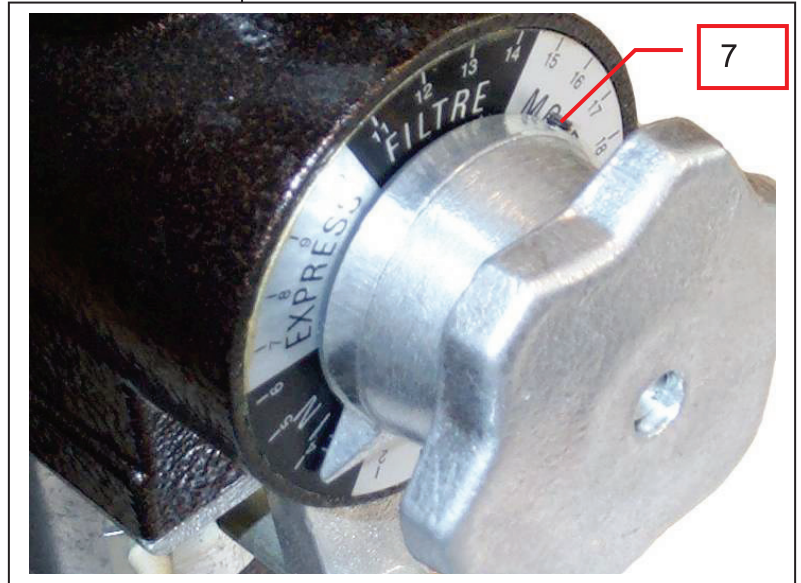
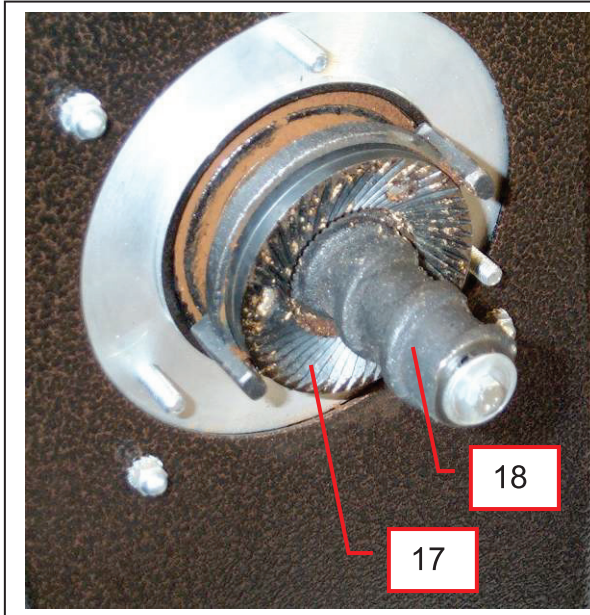
If the problem persists, check the following points:

- Check that the grinding wheels do not touch each other.
- Check the state of wear of the grinding wheels (grinding too fine with worn grinding wheels can result in a motor overload like this).
- If there are no foreign bodies preventing the appliance from working, then check and replace the motor starter relay then the capacitor.

# Figure Drawings

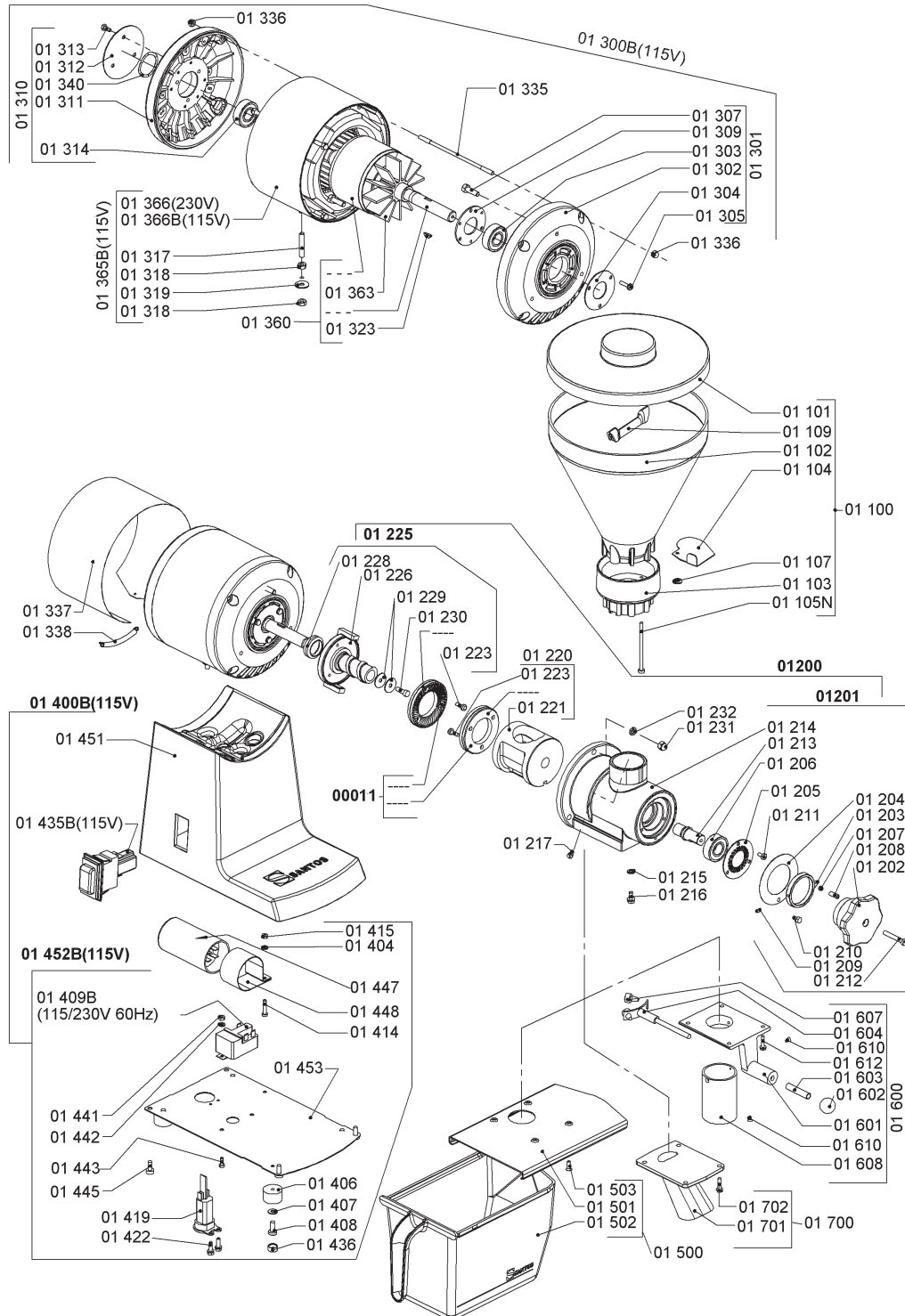


# Figure Drawings



# Parts Breakdown

## Model Santos 01PV 44116



# Parts Breakdown

## Model Santos 01PV 44116

Item No.	Description	Position	Item No.	Description	Position	Item No.	Description	Position
AC559	Set of 2 Special Poppy Seeds Discs Diam. 63.5 for 01PV	00011	AC594	Complete Feeding Screw Poppy for 01PV	01225PV	AC626	Rear Flange Only Brown for 01PV	01311
40662	Complete Hopper with Obturator for 01PV	01100	AC595	Feeding Screw for 01PV	01226	AC627	Chromed Bearing Washer for 01PV	01312
63502	Hopper Cover for 01PV	01101	AC596	V Ring Gasket V20 for 01PV	01228	AC628	Screw H 4x10 for 01PV	01313
AC566	Hopper for 01PV	01102	AC597	Washer 5x20 for 01PV	01229	AC629	Bearing 6202 for 01PV	01314
40663	Obturator for 01PV	01103	AC598	Screw CHC 5x15 for 01PV	01230	AC630	Complete Stator (Winding) (Old<08/2017) for 01PV	01315
AC567	Obturator Handle for 01PV	01104	AC599	Cap Nut H M6 for 01PV	01231	AC631	Stator Only Single Phase 200-240V 50Hz (Old<08/2017) for 01PV	01316
AC568	Screw CX 4x60 Zn for 01PV	01105	AC600	Washer Diam 6 for 01PV	01232	AC632	Screw 6x35 for 01PV	01317
AC569	Split Washer D 4 (Old) for 01PV	01106	AC601	Bar Grind Housing with Adjusting Button for 01PV	01250	AC633	Nut H M6 Zn for 01PV	01318
AC570	Belleville Washer 5x12 for 01PV	01107	AC602	Barista Indexing Pointer for 01PV	01251	AC634	Washer 6x18x1 for 01PV	01319
AC571	Safety Bar for 01PV	01109	AC603	Screw CXS M4x12 Auto for 01PV	01252	AC635	Pin 3x5 for 01PV	01323
AC572	Complete Grind Housing (Poppy) for 01PV	01200PV	AC604	Barista Grind Adjustment Screw for 01PV	01253	AC636	Assembling Threaded Rod M5x134 for 01PV	01335
AC573	Grind Housing with Adjusting Button for 01PV	01201	AC605	Bearing Washer for 01PV	01254	AC637	Cap Nut H M5 for 01PV	01336
AC574	Adjusting Button for 01PV	01202	AC606	Ring D15 for 01PV	01255	AC638	Stainless Steel Motor Protector for 01PV	01337
AC575	Index for 01PV	01203	AC607	Barista Adjusting Button Spring for 01PV	01256	AC639	Motor Protector Spring for 01PV	01338
AC576	Graduated Round Plate for 01PV	01204	AC608	Barista Index Locking Screw for 01PV	01257	AC640	Ondulated Washer 6202 for 01PV	01340
AC577	Bearing Washer for 01PV	01205	AC609	Barista Graduated Ring for 01PV	01258	AC641	Complete Rotor with Shaft - Single Phase and Pin for 01PV	01360
AC578	Bearing 6202 for 01PV	01206	AC610	Barista Soft Button for 01PV	01260	AC642	Complete Stator (Winding) 110V 60Hz (or 220V 60Hz) for 01PV	01365B
AC579	Steel Ball D 6 for 01PV	01207	AC611	Screw HC M8x10 for 01PV	01261	AC643	Stator Only Single Phase 110V 60Hz (or 220V 60Hz) for 01PV	01366B
AC580	Adjusting Button Spring for 01PV	01208	AC612	Barista Adjusting Button for 01PV	01262	AC644	Complete Base - 1 Phase 110-120V 60 Hz for 01PV	01400B
AC581	Screw HC M4x8 for 01PV	01209	AC613	Adjusting Ring for 01PV	01264	AC645	Complete Bottom Plate 115V (Old) for 01PV	01402B
AC582	Screw H 4x8 Zn for 01PV	01210	AC614	O Ring 25x2.5 for 01PV	01265	AC646	Bottom Plate (Old) for 01PV	01403
AC583	Screw H 4x8 Zn for 01PV	01211	AC615	Barista Grind Housing for 01PV	01266	AC647	Washer AZ 4 ZN for 01PV	01404
AC584	Screw CB M5x35 Zn for 01PV	01212	AC616	Barista Complete Grind Housing for 01PV	01270	AC648	Rubber Foot D 25 for 01PV	01406
AC585	Grind Adjustment Screw for 01PV	01213	AC617	Complete Motor Single Phase 110V 60Hz (or 220V 60Hz) for 01PV	01300B	AC649	Washer 5x12 for 01PV	01407
AC586	Grind Housing for 01PV	01214	AC618	Complete Front Flange (Brown) for 01PV	01301	AC650	Screw TCL 5.5x16 Zn for 01PV	01408
AC587	Washer AZ 5 for 01PV	01215	AC619	Front Flange Only (Brown) for 01PV	01302	AC651	Starting Relay 100-120V 50/60Hz and 220V/60Hz for 01PV	01409B
AC588	Screw H 5x10 Zn for 01PV	01216	AC620	Bearing 6202 for 01PV	01303	AC652	Screw H 4.8x12.7 ZN for 01PV	01410
AC589	Screw CB M4x10 Zn for 01PV	01217	AC621	Bearing Washer (Thin) for 01PV	01304	AC653	Capacitor 250 MF 110 / 220V 60Hz for 01PV	01412B
AC590	Complete Grind Core for 01PV	01220	AC622	Screw M4x16 for 01PV	01305	AC654	Capacitor Ring D38 for 01PV	01413
AC591	Grind Core for 01PV	01221	AC623	Screw H M6x20 Zn for 01PV	01307	AC655	Capacitor Screw for 01PV	01414
AC592	Diameter 63.5 Grinding Disc (Poppy) for 01PV	01222	AC624	Bearing Washer (Thick) for 01PV	01309	AC656	Nut H M4 Zn for 01PV	01415
AC593	Screw M4x10 for 01PV	01223	AC625	Complete Rear Flange for 01PV	01310	AC657	Switch (Old) for 01PV	01416

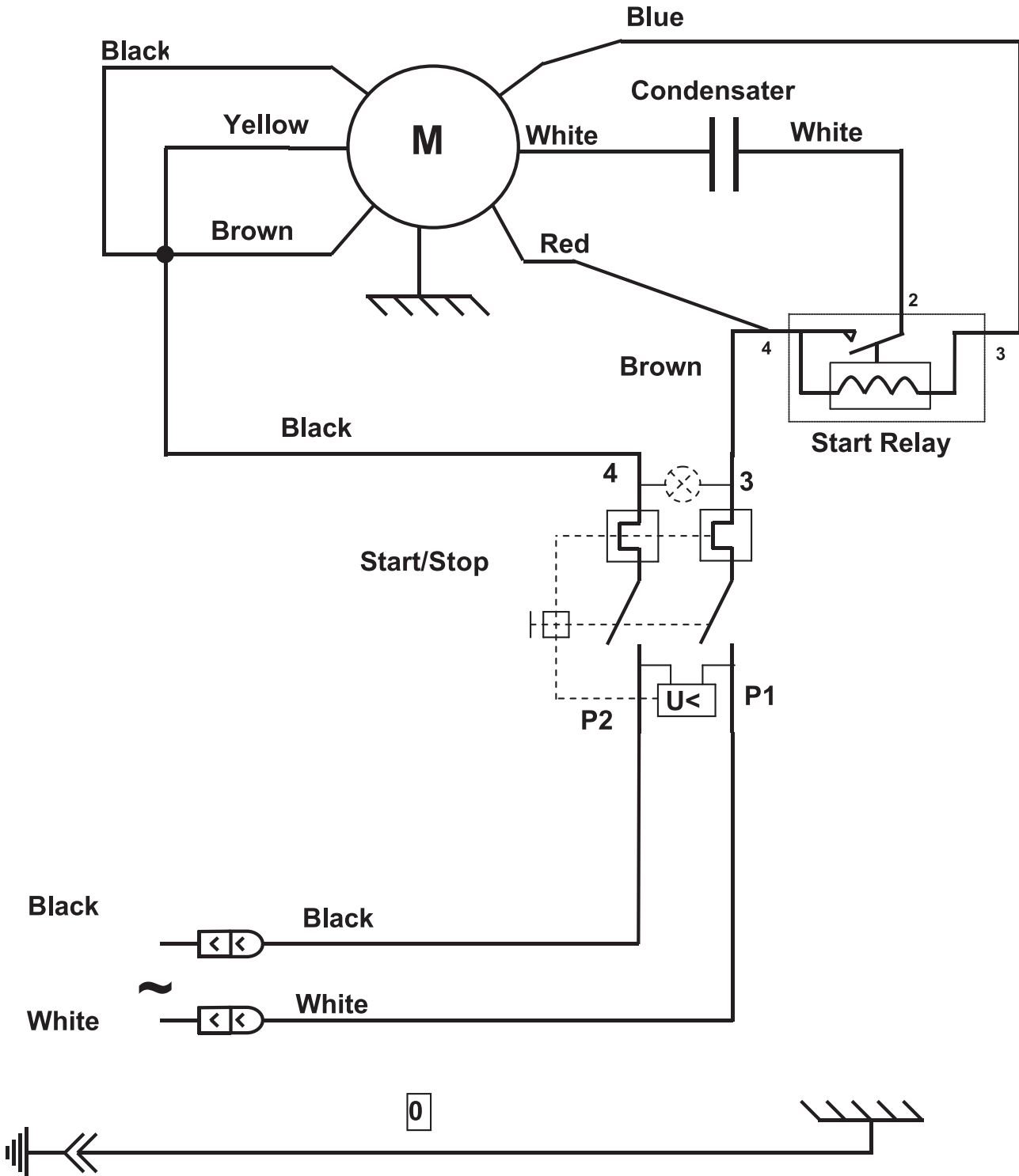
# Parts Breakdown

## Model Santos 01PV 44116

Item No.	Description	Position	Item No.	Description	Position	Item No.	Description	Position
AC658	On-Off Plate (Old) for 01PV	01417	AC672	Bottom Plate for 01PV	01453	AC685	Screw TF M4x10 Zn for 01PV	01503
AC659	Power Cord with USA Plug for 01PV	01419B	AC673	Reversing Rotative Barista Switch for 01PV	01455	AC686	Complete Bag Holder for 01PV	01600
AC660	Screw H 4.2x12.7 ZN for 01PV	01422	AC674	Screw CXS M4x12 Auto for 01PV	01456	AC687	Bag Holder Sole for 01PV	01601
AC661	Special On-Off Multifunctions Switch 230V 8A115V for 01PV	01435B	AC675	Barista Plate for 01PV	01457	AC688	Bakelite Ball for 01PV	01602
AC662	Cap D12.2x6.2 Black for 01PV	01436	AC676	Grooved Drive Stud 3x8 Stainless Steel for 01PV	01458	AC689	Bag Holder Spring for 01PV	01603
AC663	Membrane + Plastic Tally Assembly for 01PV	01437	AC677	Screw HC M6x8 for 01PV	01459	AC690	Complete Bag Holder Axle for 01PV	01604
AC664	Nut H M4 Zn for 01PV	01441	AC678	Barista On/Off Button for 01PV	01460	AC691	Rubber Buffer D12 H 7.5 for 01PV	01607
AC665	Washer AZ 4 ZN for 01PV	01442	AC679	Barista Complete Base 115V for 01PV	01470B	AC692	Bag Holder Tube (Polished) for 01PV	01608
AC666	Screw CB M4x10 Zn for 01PV	01443	AC680	Barista Black Painted Base for 01PV	01471	AC693	SCREW FZ M3x6 for 01PV	01610
AC667	Screw H M5x12 Zn Autotar for 01PV	01445	AC681	Barista Bottom Plate 220V for 01PV	01472	AC694	Complete Poppy Outlet for 01PV	01700
AC668	Capacitor 150 µF Diam 46 for 01PV	01447	AC682	Circuit Breaker 8A (115V) for 01PV	01474B	AC695	Ground Poppy Outlet Pipe for 01PV	01701
AC669	Capacitor Ring D46 for 01PV	01448	AC683	Complete Drawer with Sustainer + Screws for 01PV	01500	AC696	Screw HM 4x16 Zn Auto for 01PV	01702
AC670	Painted Base for 01PV	01451	AC684	Drawer Sustainer Only for 01PV	01501	AC697	Barista Complete Poppy Outlet for 01PV	01770
AC671	Complete Bottom Plate 115V for 01PV	01452B	40664	Poppy Drawer for 01PV	01502	AC698	Barista Ground Poppy Outlet Pipe for 01PV	01771

# Electrical Schematics

Model Santos 01PV 44116













# Warranty Registration

Thank you for purchasing an Omcan product. To register your warranty for this product, complete the information below, tear off the card at the perforation and then send to the address specified below. You can also register online by visiting:

Merci d'avoir acheté un produit Omcan. Pour enregistrer votre garantie pour ce produit, complétez les informations ci-dessous, détachez la carte au niveau de la perforation, puis l'envoyer à l'adresse spécifiée ci-dessous. Vous pouvez également vous inscrire en ligne en visitant:

Gracias por comprar un producto Omcan usted. Para registrar su garantía para este producto, complete la información a continuación, cortar la tarjeta en la perforación y luego enviarlo a la dirección indicada a continuación. También puede registrarse en línea en:

<https://omcan.com/warranty-registration/>

For mailing in Canada

Pour postale au Canada

Por correo en Canadá

**OMCAN**

PRODUCT WARRANTY REGISTRATION

3115 Pepper Mill Court,

Mississauga, Ontario

Canada, L5L 4X5

For mailing in the US

Pour diffusion aux États-Unis

Por correo en los EE.UU.

**OMCAN**

PRODUCT WARRANTY REGISTRATION

4450 Witmer Industrial Estates, Unit 4,

Niagara Falls, New York

USA, 14305

*or email to: [service@omcan.com](mailto:service@omcan.com)*



Purchaser's Information

Name: \_\_\_\_\_

Address: \_\_\_\_\_

City: \_\_\_\_\_ Province or State: \_\_\_\_\_ Postal or Zip: \_\_\_\_\_

Country: \_\_\_\_\_

Dealer from which Purchased: \_\_\_\_\_

Dealer City: \_\_\_\_\_ Dealer Province or State: \_\_\_\_\_

Invoice: \_\_\_\_\_

Model Name: \_\_\_\_\_ Model Number: \_\_\_\_\_

Machine Description: \_\_\_\_\_

Date of Purchase (MM/DD/YYYY): \_\_\_\_\_

Would you like to extend the warranty?  Yes  No

Company Name: \_\_\_\_\_

Telephone: \_\_\_\_\_

Email Address: \_\_\_\_\_

Type of Company:

Restaurant  Bakery  Deli

Butcher  Supermarket  Caterer

Institution (*specify*): \_\_\_\_\_

Other (*specify*): \_\_\_\_\_

Serial Number: \_\_\_\_\_

Date of Installation (MM/DD/YYYY): \_\_\_\_\_

**Thank you for choosing Omcan | Merci d'avoir choisi Omcan | Gracias por elegir Omcan**



Since 1951 Omcan has grown to become a leading distributor of equipment and supplies to the North American food service industry. Our success over these many years can be attributed to our commitment to strengthen and develop new and existing relationships with our valued customers and manufacturers. Today with partners in North America, Europe, Asia and South America, we continually work to improve and grow the company. We strive to offer customers exceptional value through our qualified local sales and service representatives who provide convenient access to over 5,000 globally sourced products.

---

Depuis 1951 Omcan a grandi pour devenir un des “leaders” de la distribution des équipements et matériel pour l’industrie des services alimentaires en Amérique du Nord. Notre succès au cours de ces nombreuses années peut être attribué à notre engagement à renforcer et à développer de nouvelles et existantes relations avec nos clients et les fabricants de valeur. Aujourd’hui avec des partenaires en Amérique du Nord, Europe, Asie et Amérique du Sud, nous travaillons continuellement à améliorer et développer l’entreprise. Nous nous efforçons d’offrir à nos clients une valeur exceptionnelle grâce à nos ventes locales qualifiées et des représentants de service qui offrent un accès facile à plus de 5000 produits provenant du monde entier.

---

Desde 1951 Omcan ha crecido hasta convertirse en un líder en la distribución de equipos y suministros de alimentos en América del Norte industria de servicios. Nuestro éxito en estos años se puede atribuir a nuestro compromiso de fortalecer y desarrollar nuevas relaciones existentes con nuestros valiosos clientes y fabricantes. Hoy con socios de América del Norte, Europa, Asia y América del Sur, que trabajan continuamente para mejorar y crecer la empresa. Nos esforzamos por ofrecer a nuestros clientes valor excepcional a través de nuestro local de ventas y representantes de los servicios que proporcionan un fácil acceso a más de 5,000 productos con origen a nivel mundial.

